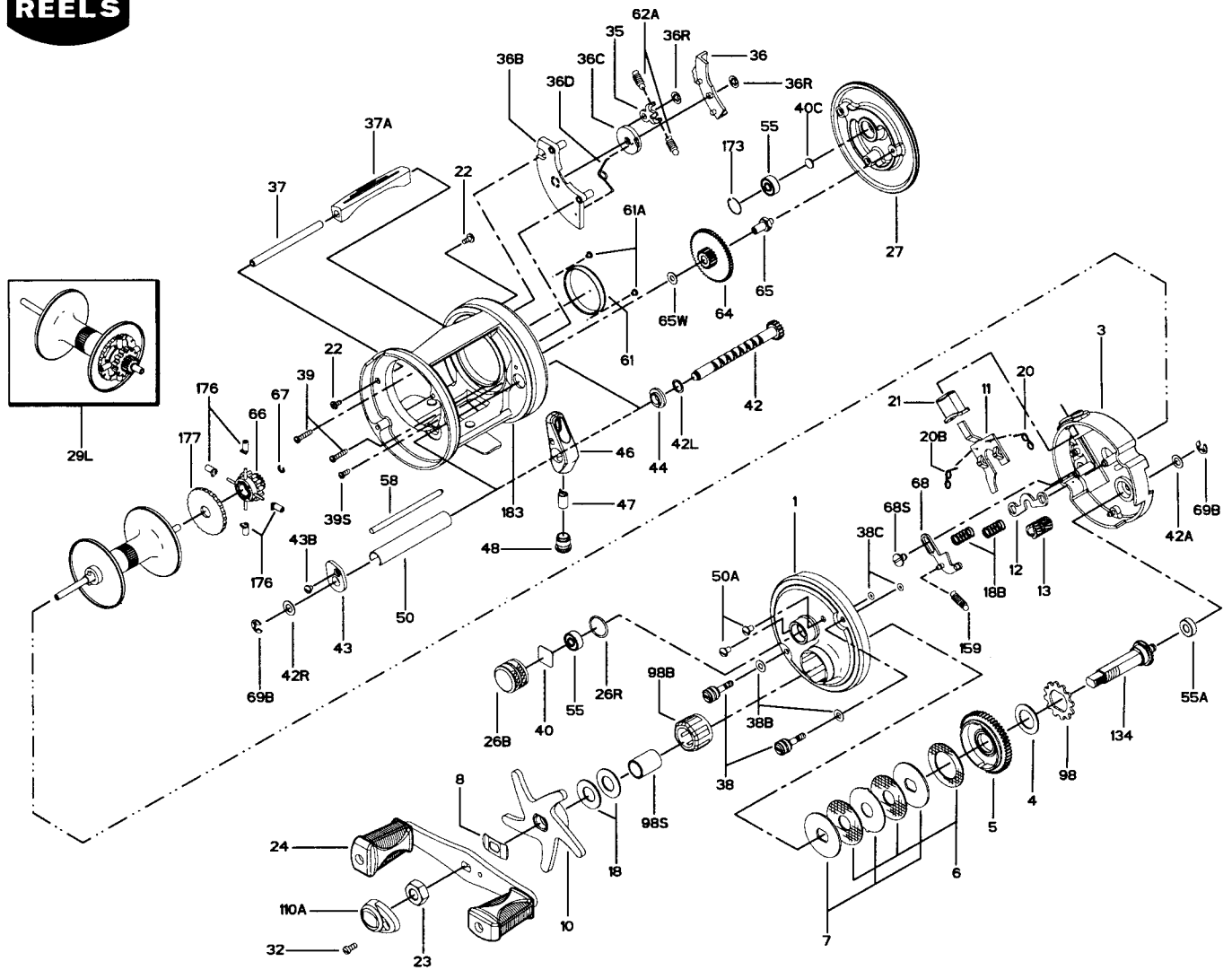




PARTS AND PRICE LIST FOR MODEL 965



Key No.	Part No.	Description	Price	Key No.	Part No.	Description	Price
1	1-965	Right Side Plate	\$18.00	40C	40C-310	Metal Thrust Washer	\$.40
3	3-965	Inner R.S. Plate	6.00	42	42M-965	Worm Shaft	4.10
4	4-60	Fibre Washer	.40	42A	42R-965	Metal Washer	.50
5	5-965	Main Gear	6.35	42L	42L-965	L.S. Worm Shaft Washer	.50
6	6C-965	Drag Washer HT-100 (Set of 3)	.55	42R	42R-965	R.S. Worm Shaft Washer	.50
7	7C-965	Metal Drag Washer (Set of 3)	3.00	43	43-965	R.S. Worm Shaft Bushing	1.50
8	8-965	Star Tension Washer	.50	43B	43B-965	Worm Bushing Screw	.50
10	10-965	Star Drag	6.50	44	44-965	L.S. Worm Shaft Bushing	1.50
11	11-965	Eccentric Jack	1.10	46	46N-965	Line Guide	2.50
12	12-965	Yoke	1.00	47	47-920 47-975	Pawl	1.35
13	13-965	Pinion	3.50	48	48-965	Pawl Cover Screw	.50
18	18-965	Disc Clutch Spring (2 req.)	.80	50	50-965	Worm Shield	2.50
18B	18B-965	Yoke Spring (2 req.)	.40	50A	50-716	R.S. Plate Screw (2 req.)	.45
20	20-965	R.S. Jack Spring	.50	55	55-113H	Ball Bearing (2 req.)	13.50
20B	20B-965	L.S. Jack Spring	.50	55A	55A-965	Gear Stud Bushing	2.50
21	21-965	Clutch Release Button	1.50	58	58-965	Line Guide Post	1.75
22	50-716	Post Screw (2 req.)	.45	61	61-965	Brake Drum	1.75
23	23-965	Handle Nut	1.60	61A	43B-965	Brake Drum Screw (2 req.)	.50
24	24-965	Handle Assembly	6.50	62A	62A-965	Click Spring (2 req.)	1.50
26B	26B-965	Spool Tension Cap	1.80	64	64M-965	Idler Gear	1.50
26R	26R-965	Tension Cap 'O' Ring	.50	65	65-965	Idler Gear Pin	1.50
27	27-965	Left Side Plate	18.00	65W	65W-965	Idler Gear Washer	.50
29L	29L-965	Spool Assembly	17.50	66	66M-965	Spool Gear Click Ratchet	4.10
32	32-15	Handle Cap Screw	.40	67	67-16S	Lock Ring	.50
35	35-965	Click Tongue	.90	68	68-965	Shift Arm	1.50
36	36-965	Click Button	1.50	68S	68S-965	Shift Arm Screw	1.50
36B	36B-965	Click Housing	1.50	69B	69B-600	Retaining Ring (2 req.)	.90
36C	36C-965	Click Wheel	1.50	98	98-965	Trip Ratchet	.50
36D	36D-965	Click Wheel Spring	.50	98B	98B-965	Roller Bearing	9.50
36R	36R-965	Retaining Ring (2 req.)	.50	98S	98S-965	Bearing Clutch Shaft	1.75
37	37-965	Thumb Bar Post	3.50	110A	110A-555	Handle Nut Cap	.75
37A	37A-965	Thumb Bar	1.60	134	134-965	Gear Stud	6.50
38	38-965	Take-Apart Screw (2 req.)	1.50	159	159-965	Shift Arm Spring	.80
38B	38B-965	Side Plate Washer (2 req.)	.50	173	173-965	L.S. Bearing Retainer	.80
38C	38C-965	Screw 'O' Ring (2 req.)	.50	176	176-965	Anti-Backlash Brakes (4 req.)	.80
39	39-965	L.S. Plate Screw (2 req.)	.40	177	177-965	Brake Selection Knob	1.50
39S	39S-965	L.S. Plate Short Screw	.40	183	183-965	Frame Assembly	62.00